

Model HFC-1000

High Flow (1.5 gpm)



"This system was evaluated to a test capacity of 1000 gallons, 200% of the rated capacity of 500 gallons"

Chemical Reduction System

for your home, office and business

5 Stage Exclusive High Flow Design

Stage 1: Built-in 5.0 Micron Pre-Filter - Wrapped completely around the carbon block to filter dirt, sediment, filterable iron, etc., for increased cartridge life

Stage 2: Fine Filtration- Thick Compression molded powdered activated carbon block - Class 1 certified for removal of particles 0.5 Micron (1/50,000 of an inch) and larger

Stage 3: Adsorption- Specially formulated High Capacity carbon with over **1,000,000 square meters** of adsorption surface area

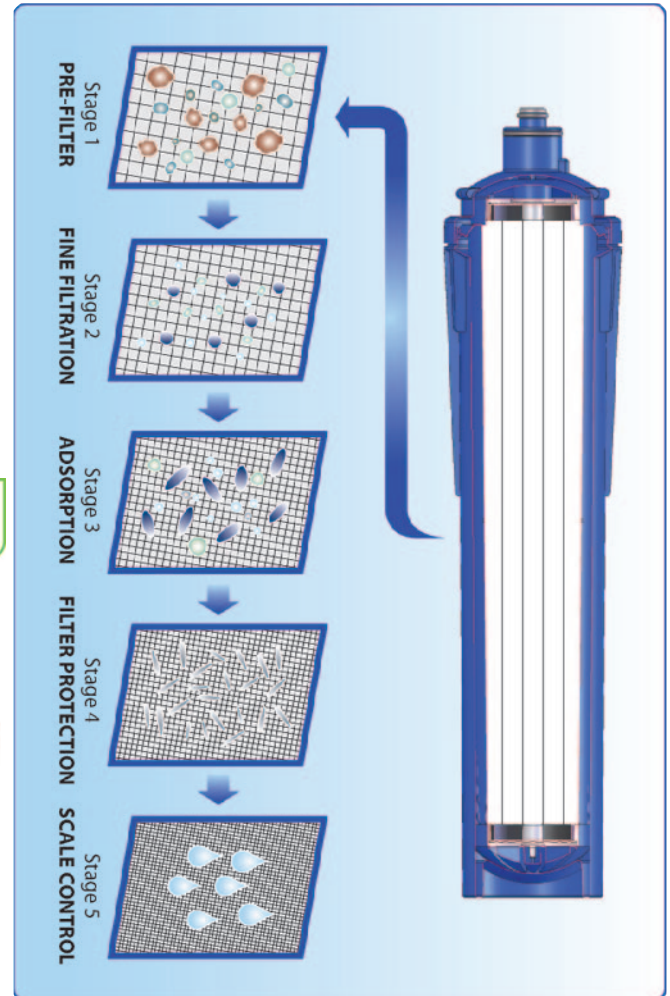
Stage 4: Filter Protection - Silver Zeolite technology blended throughout the filter for efficacy & longevity



Stage 5: Scale Control*- Polyphosphate spheres are slowly released to provide **protection against hard water scale** build up in water using appliances.

* claim not certified by WQA

Replacement cartridge PN# RC-HFC-1000



Superior Performance

California Certification Number 3330

Iowa Registration Number 20515



Exclusive Patented Quick Change Cartridge

- Sanitary Sealed quick change cartridge 1/4 turn, no tools required

Complete Installation Kit

- Undersink to existing cold sink faucet (all quick connections)

Lead Free Design

- Virgin polypropylene materials and tubing - no lead

Natural Minerals are not filtered out of your water!

Now with Certified Performance for Reduction of
- PFOA/PFOS & Microplastics



Waterline Technology®

Protected under patents 6,695,891, 6,926,826, 6,977,006, 7,172,693, 7,476,314 and other Patents Pending
Manufactured at EPA Establishment Number 070932-ID-001

Model HFC-1000

High Flow (1.5 gpm)



Chemical Reduction System for your home, office and business

Certified Performance

This system certified by WQA to CSA B483.1, NSF/ANSI 42, 53, 401, & NSF/ANSI/CAN 372



This system certified by IAPMO R&T to CSA B483.1, NSF/ANSI 42, 53



For Specific performance claims as verified below and substantiated by test data

NSF/ANSI Standard 42: Aesthetic Effects

Chemical Unit

Taste and Odor

Aesthetic Chlorine

Mechanical Filtration Unit

Particulate Reduction Class I, 0.5 micron and larger

NSF/ANSI Standard 53: Health Effects

Chemical Reduction Unit

MTBE

VOC's

TTHM's

Lead

*Perfluorooctanoic acid (PFOA)

*Perfluorooctane sulfonic acid (PFOS)

Mechanical Reduction Unit

Turbidity

Cyst

NSF/ANSI/CAN 372

**Low Lead Content < 0.25% wetted part

NSF/ANSI 401

**Reduction of Microplastics

WQA/ASPE/ANSI S-803 Sustainability



* Claim certified by IAPMO RT

**Claim certified by WQA

See Performance Data Sheet for individual contaminant reduction

Operating Specifications

Min/Max working pressure: 30 psi (2.1 bar)/125 psi (8.6 bar), non shock

Temperature: 35-100° F (2-38° C)

Service flow rate 1.5 gpm (5.7 Lpm)

Rated Service Capacity: 500 gallons (1800 L)

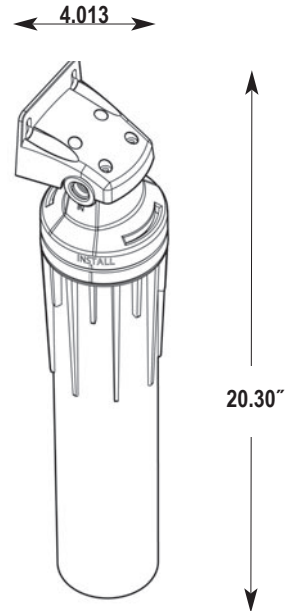
"The end-user should not attempt to regenerate and reuse spent media from this product"

Product performance is dependent upon incoming water conditions. Do not use with water that is microbiologically unsafe or of unknown quality without adequate disinfection before or after the system. Systems certified for cyst reduction may be used on disinfected waters that may contain filterable cysts.

California Certification 3330, Iowa Registration 20515.

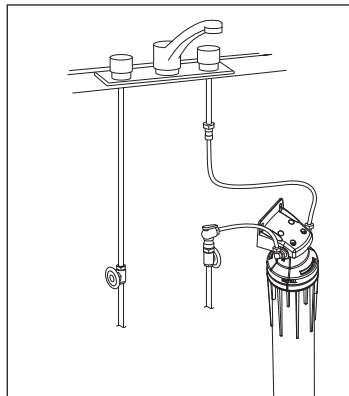
See performance data sheet for individual contaminant's reduction

The contaminant's or other substances reduced by this water filter device are not necessarily in your water.

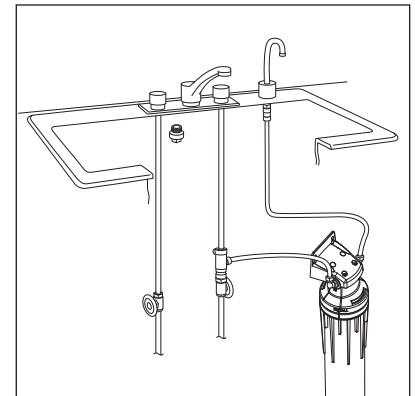


Typical Installation Options:

Existing Cold Faucet Installation



Under sink Separate Faucet Installation



This system is a great addition to any home, office or business. Its flow rate is 3 x the competition without sacrificing performance. The capacity for the average family of 4-6 is a 1 Year Supply of drinking water.

Ideal system for homes that do not want to add a separate dispensing faucet and those with high flow kitchen faucets. For homes with pot filler faucets, or higher flow kitchen faucets use our Model HFC-1000 Dual 3.0 gpm system!

Connecting to the existing cold sink faucet saves money! Quick/Simple installation, and no separate faucet to purchase. The high flow rate allows use of this system for all of your drinking, cooking, and food preparation needs.

Over 80% of the Cold water used at the kitchen sink should be filtered, now its automatic!

High Flow + High Performance = Convenience plus a healthier lifestyle!



Waterline Technology®
961 N. Main St., Ste 102 • P.O. Box 396
Mansfield, OH 44903

Phone: 419-529-3949 • Sales/Technical Service: 1-800-522-3949
Fax: 419-529-8484 • www.waterlinetechnology.com

Form HFC-1000-2023